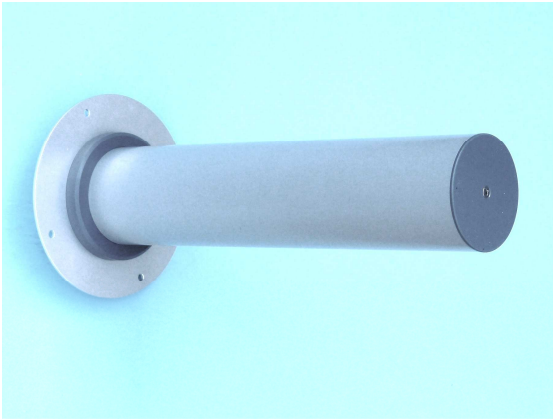


CIRCULAR POLARISED GNSS-BAND HELICAL ANTENNAS

Antenna type TH1116R10



ELECTRICAL SPECIFICATIONS

- Frequency Range 1.15 to 1.65 GHz
- Polarisation RHC
- Gain 9.5 dBic at 1.15 GHz
10.5 dBic at 1.65 GHz
- Midband HPBW 52 deg. at 1.15 GHz
46 deg. at 1.65 GHz
- Power Rating 75 Watts CW
- Impedance 50 Ohms
- VSWR better than 1,5:1
- Front to Back Ratio >20 dB

The passive helical antenna model TH1116R10 is specially designed for applications in the frequency range for navigation applications from 1.15 to 1.65 GHz. This rugged, superior constructed circular polarised antenna is enclosed in a hermetically sealed radome. It is designed to withstand ice, snow, high winds and most severe saltwater, oil and most common chemical fumes. The antennas may be used individually or in multiple arrays for increased gain and directivity or specially coverage.

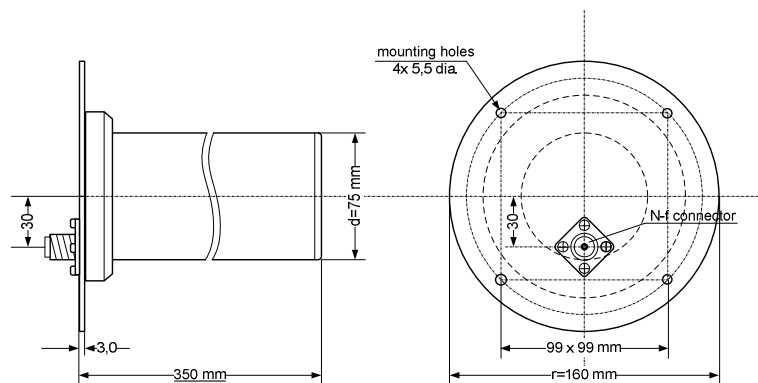
MECHANICAL SPECIFICATIONS

- Connector Type N-female
- Antenna Length 350 mm (13.8 inch)
- Reflector Size 160 mm dia. (6.3 inch)
- Colours radome - gray
reflector- eloxal nature

ENVIRONMENTAL SPECIFICATIONS

- Temperature Range -40°C to +85°C (-40°F to +185°F)
- Wind Velocity max. 160 km/h (100 mph)

OUTLINE DRAWING

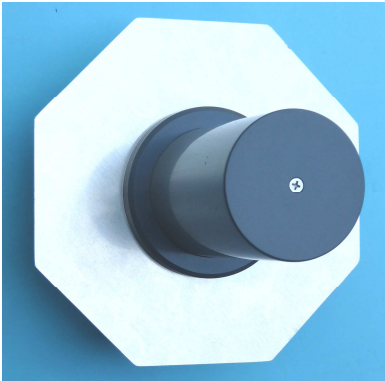


OPTIONS

- LHC polarised units

CIRCULAR POLARISED GNSS-BAND HELICAL ANTENNAS

Antenna type TH1116R6



ELECTRICAL SPECIFICATIONS

- Frequency Range 1.15 to 1.65 GHz
- Polarisation RHC
- Gain 6.5 dBic at 1.15 GHz
7.5 dBic at 1.65 GHz
- Midband HPBW 75 deg. at 1.15 GHz
65 deg. at 1.65 GHz
- Power Rating 50 Watts CW
- Impedance 50 Ohms
- VSWR better than 1,5:1
- Front to Back Ratio >20 dB

The passive helical antenna model TH1116R6 is specially designed for applications in the frequency range for navigation applications from 1.15 to 1.65 GHz. This rugged, superior constructed circular polarised antenna is enclosed in a hermetically sealed radome. It is designed to withstand ice, snow, high winds and most severe saltwater, oil and most common chemical fumes. The antennas may be used individually or in multiple arrays for increased gain and directivity or specially coverage.

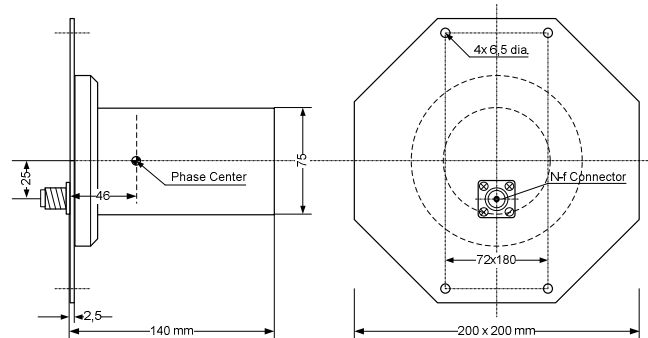
MECHANICAL SPECIFICATIONS

- Connector Type N-female
- Antenna Length 140 mm (5.6 inch)
- Reflector Size 200 x 200 mm (7.9 x 7.9 inch)
- Colours radome - gray
reflector - eloxal nature

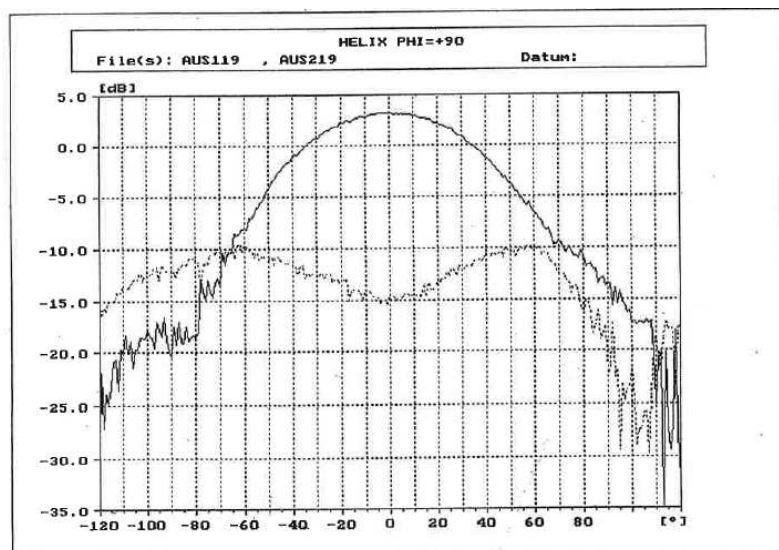
ENVIRONMENTAL SPECIFICATIONS

- Temperature Range -40°C to +85°C (-40°F to +185°F)
- Wind Velocity max. 200 km/h (125 mph)

OUTLINE DRAWING



Typical Radiation patterns for Azimut and Elevation



OPTIONS

- LHC polarised units